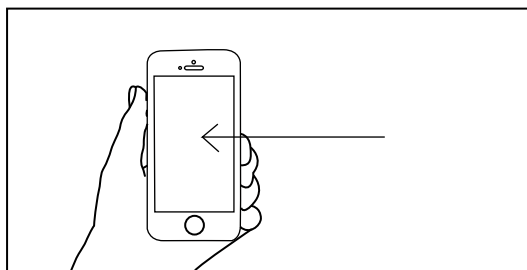


PRODUCT MANUAL

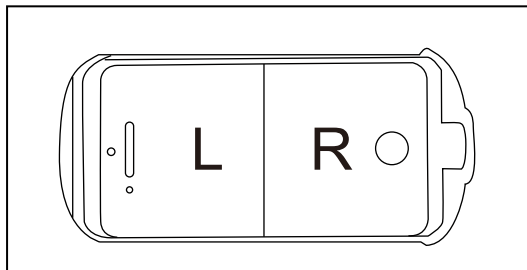
VIRTUAL REALITY GLASSES
使用说明书

Use of three steps

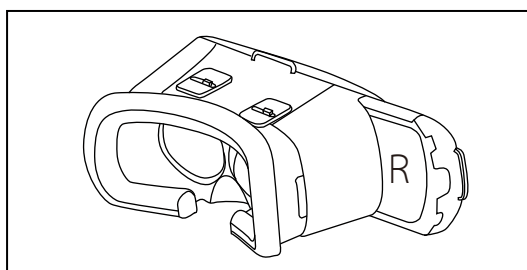
使用三部曲



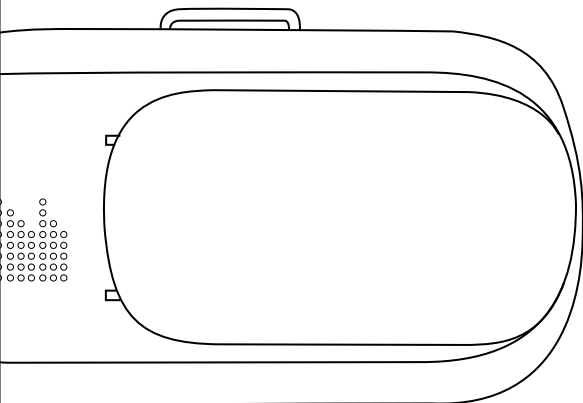
1. Enter the application market, Download game resources
进入应用市场, 搜索“VR” 下载相关应用app



2. Play downloaded vide resources, must be about split-screen format.
播放VR资源, 格式必须是左右分屏格式



3. Set up after you can start to use
将手机放入产品, 开始使用



Mobile virtual reality glasses

Access to resources

下载资源

Resources are mainly divided into three categories.

Mobile VR games: the rotation of the head with the remote control Perspective by End\r\nInto game action

360°panoramic video:You can download a good video, through the head turn\r\nAutomatic control perspective, enjoy the scenery around.

3D movies:you can choose to watch videos online,you can also download their own good movies into your phone.

VR资源主要有三类

手机VR游戏: 通过头部转动控制视角配合遥控完成游戏操作

360°全景视频: 你可以下载好视频, 通过头部转动控制视角, 享受各地风景

3D影片: 可以选择在线观看影片, 也可以将自己下载好的影片导入手机。

More resources Download.

Method One:Android

Entered the major application market search \ VR \ for download
iPhone
Into the APP Store, search for \ VR \ for download

Method Two:You can search for cardboard keywords to get very \ r \ nMore fun APP

VR资源下载方式

安卓和IOS可以进入应用市场, 搜索“VR” 获得相关app资源, 并下载 (例如: VR管家, 暴风魔镜, 3D播播等)

也可以将自己下载好的影片导入手机通过VR播放器来观看

Function parsing

使用三部曲

目距调节 Head away from the adjustment

针对近视用户的使用, 目距可分开调节
For myopia user can adjust separately

瞳距调节 IPD adjustment

针对不同人群的使用, 瞳距可分开调节
Different people use,you can adjust separately

左侧耳机插孔 Left side headphone jack

适用于插耳机线和外接U盘
You can plug headphones line,and external disk u,

窥视前面板 Sliding panel

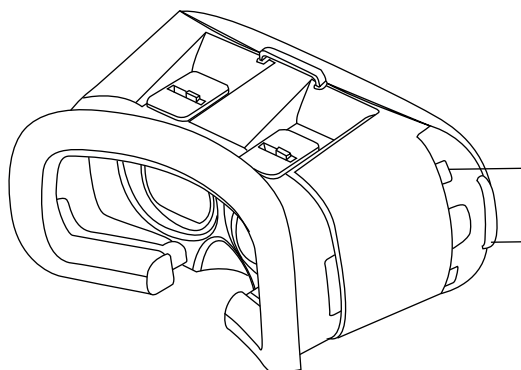
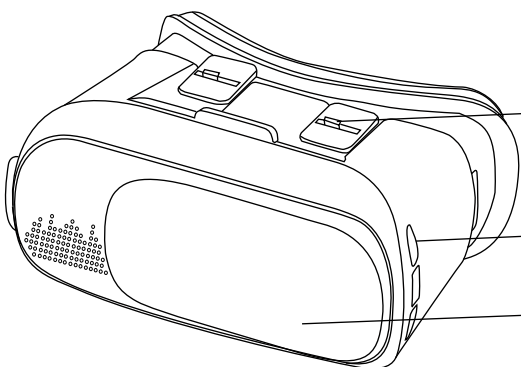
前面板可以左右滑动, 露出摄像头
The front panel can slide around, exposing the camera

手机卡板 Install the phone

手机装入卡后, 放入VRBOX
After the phone installed,insert into it,you can use

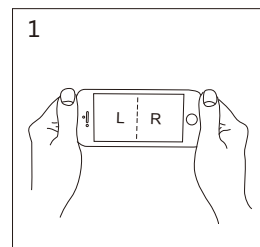
右侧耳机插孔 Right side headphone jack

适用于插耳机线和外界U盘
You can plug headphone line ,and external disk u,

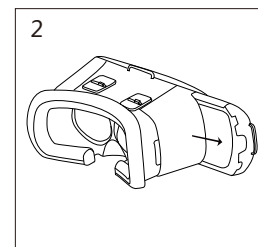


Common problems

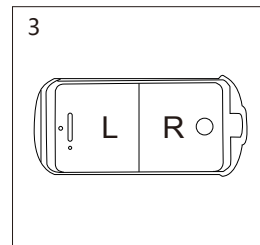
常见问题



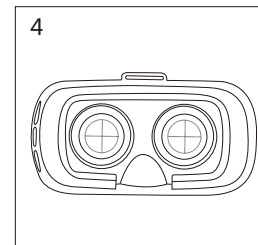
Application resources must be about split-screen format
资源必须是左右分屏格式



Fixed phone card board is taken out from the side of
手机卡板是从侧面抽出



When installed,the midline to be aligned
装入卡板前, 贴好EVA贴棉
手机装入后要对其中线



Adjust equipment after use, it will not feel dizzy
调节好瞳距和目距后才会产生眩晕情况



头部转动控制视角
By gravity sensing,control your viewing angle

Warm prompt

温馨提示

Important note

Use caution

- It can not be used when the phone is a charging
- If you feel dizzy, sick, stop for a moment.
- Pregnant women,high blood pressure,and fear of heights, crowds,prohibited.

重要提示

谨慎使用

- 请勿在手机充电状态下使用VRBOX, 造成后果自行承担
- 如果感觉头晕恶心、目眩轻休息片刻
- 孕妇、高血压和恐高人群谨慎使用

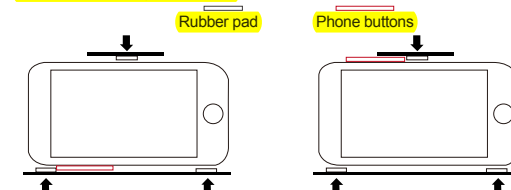
以下情况不属于三包范围

- 缺失有效发票或不在三包期内
- 产品部件和配件遗失和一次性配件已被使用
- 未按产品说明书的方式使用, 维护, 保管而造成的损坏
- 因火灾、水灾、雷击等不可抗因素造成的损坏
- 由于擅自拆机, 改装等人为造成的损坏
- 由于用户自身手机适配问题, 网络环境等导致产品无法使用

There are 3 pcs of rubber pad, x3 pcs

Please stick the rubber pads onto the phone holder according to the position of the phone buttons,

Please refer to figures below



配件袋中赠送有3颗EVA贴棉
使用前, 请将EVA贴棉贴在夹板上, 贴的位置更具您手机的具体按键位置来定
EVA贴棉主要起到手机不被刮伤和防止夹板夹住手机的音量或开关按键